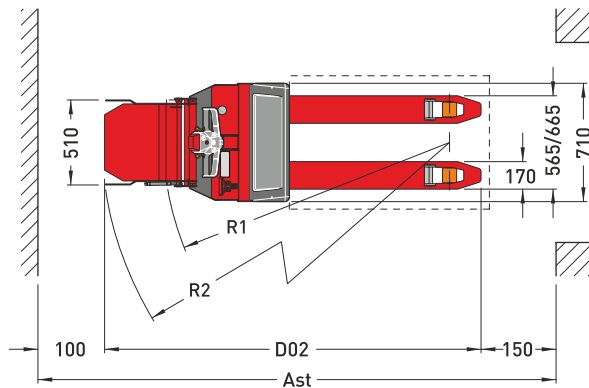
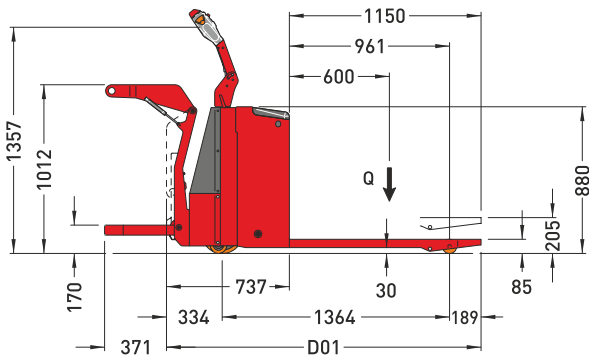


1 - BRAKING  
2 - RUNNING



LAST UPDATE: 11/01/2013

**NOTE:** the width of the forks of 665 mm is an optional

### BATTERIES

Acid/lead traction battery 24V - 230Ah/5h 192 kg

### WEIGHT

### TECHNICAL FEATURES

Pallet truck with user's platform and side arms.  
Load capacity: 2000 kg.  
MOSFET electronic controller up to 24V 250A.  
24V 1400W drive motor with series excite system complete of electromagnetic brake.  
Max travel speed of 8 km/h.  
Hydraulic unit up to 24V 800W with electric descending valve.  
Battery charge indicator with LCD hours counter and block of the forks with flat battery.  
Automatic speed reduction on cornering.  
Switch to operate with the tiller in the upright position.  
Forks length 1.150 mm and section 170x55 mm.  
Single front rollers.  
Forks track 565 mm.  
Forks lifting height of 120 mm.  
Packing on wooden pallet included in the price.

### GENERAL SPECIFICATIONS

MODEL	TPL20 PLATFORM	
Load capacity	2000 kg	
Weight (without battery)	337 kg	
Front track	485 / 585	
Rear truck	554	
Height of tiller in gear position (Brake releasing)	min	1095
	max	1325
Single front rollers size	standard - poliurethane	ø 85 × 90
Double front rollers size	optional - poliurethane	ø 70 × 70
Drive wheel size	poliurethane	ø 250 × 79
Additional wheel size	poliurethane	ø 100 × 40
Travel speed	with load	7,0 km/h
	without load	8,0 km/h
Lifting speed	with load	0,04 m/s
	without load	0,05 m/s
Lowering speed	with load	0,05 m/s
	without load	0,04 m/s
Max gradeability	with load	6,0%
	without load	15,0%
Brake	Electromagnetic	
Electronic control type	Mosfet 24V 250A	
Traction motor power	Series Excite System	1400 W
Pump power motor	800W	
Noise	65 dB	
Battery box size (L × W × H)	215 × 635 × 660	
Length with platform and side arms retracted	D01	1887
Length with platform and side arms deployed	D02	2259
Steering radius with platform and side arms retracted	R1	1717
Steering radius with platform and side arms deployed	R2	2079
Working isle width with platform and side arms retracted	Ast	2137
Working isle width with platform and side arms deployed	Ast	2509

### OPTIONAL

Forks track 660 mm and forks length 1.150 mm  
Forks track 660 mm and forks length 980 mm  
Double front rollers (ø 80 × 70 mm)  
Lateral pallet entry and exit rollers  
Load holder grate (dimensions 730 × 630 mm)  
Drive wheel ring in trail-proof soft polyurethane with carved tread  
Cold store version at -30°C  
Automatic topping up for batterie complete of tank and connectors